



# UNDERMOUNT RANGEHOOD // 60cm

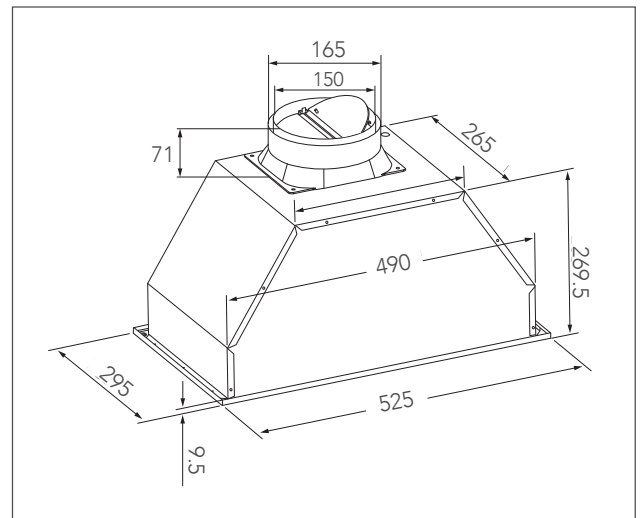
SCUM-6C



- **Simple design** - stainless steel undermount rangehood integrates seamlessly with kitchen cabinetry.
- **Airflow 760m<sup>3</sup>/hr** - removes steam, smoke and odours, leaves kitchen air fresher.
- **3 speed levels** - easy to use push button operation.
- **Quality lighting** - halogen lighting over the cooking zone.

**INSTALLATION** A qualified, professional technician is recommended.

**CLEANING AND MAINTENANCE** Easy clean stainless steel fascia using only recommended stainless steel cleaning products. No abrasives, corrosive detergents, bleaches or acids are required.



Description	Technical data	Motor power
<ul style="list-style-type: none"> <li>• Stainless steel fascia</li> <li>• 3 x speed levels with push button controls</li> <li>• 2 x GU 10 halogen lights</li> <li>• Dishwasher safe aluminium filters</li> </ul>	<ul style="list-style-type: none"> <li>• Dimensions: (W x D) 525 x 295 mm</li> <li>• 1 x aluminium mesh filter</li> </ul>	<ul style="list-style-type: none"> <li>• Twin fan internal motor, 760m<sup>3</sup>/h airflow, 150mm flexi ducting (2m), can be vented roof/wall/eaves</li> </ul>



Scandium® kitchen appliances covered by a 3 Years Warranty, and is serviced by our experienced Australian Customer Care network.

Product specifications subject to change without notice, images are for illustrative purposes only. Please check final product details with your retailer. © 2017. Axis Group International Pty Ltd.

AUSTRALIA 8/3-4 Anzed Court, Mulgrave VIC 3170.  
Phone 1300 881 693 Email [info@scandiumappliances.com.au](mailto:info@scandiumappliances.com.au)  
Web [www.scandiumappliances.com.au](http://www.scandiumappliances.com.au)

NEW ZEALAND 5 Tolich Place, Henderson, Auckland 0610.  
Phone 0800 200 510 Email [info.parex@emerson.com](mailto:info.parex@emerson.com)  
Web [www.parex.co.nz](http://www.parex.co.nz)