



SCANDIUM

Makes life easier.

INSTALLATION · OPERATION · MAINTENANCE GUIDE

RANGEHOOD
SC900WRS, SC900WTS

Index

1.	Welcome	3
2.	Before Installation	4
	Maintenance and Service.....	5
3.	Maintenance and Service	5
	LED Bulb Replacement	6
	Electrical Cord.....	6
	For Users.....	6
4.	Description & Installation	7
	Rangehood Contents	7
	Operation	7
	Cutout Size	7
5.	Installation	8
	Mounting Instructions	8
	For Installers	8
	Mounting Points	9
	Installation Example	10
	Overview.....	11
	Flexi Ducting	11
6.	Condensation Information	12
	Cooking with Induction Cooktops	12
7.	Troubleshooting	13
	Faulty Installation	13
	Service	13
8.	Specifications	14
	Dimensions.....	14
	Technical Specifications	14
9.	Service & Disclaimer	15

Welcome

Thank you for purchasing this Scandium appliance.

To achieve the optimal performance from your appliance, and to avoid the risk of accident or damage, it is essential to read this manual before installation and first time use.

This guide contains important information on the use and maintenance of the appliance, as well as important safety notes.

Your appliance has been thoroughly checked for safety and functionality before being packaged and leaving the manufacturer.

Please keep this instruction manual in a safe place so you can refer to it at any time.



ATTENTION

Installation, regulation or maintenance, of both gas and electric appliances, should only be executed by qualified and authorised personnel who are aware of the installation regulations in force.

Please make sure to read this booklet carefully, containing general instructions for the Installation, Operation and Maintenance of your appliance, before installation and operation.

It is extremely useful to know, in detail, the best way of operating and maintaining this appliance so you can enjoy its benefits and be assured of the best results.

Please keep this instruction booklet with the appliance in case you pass it on to someone else.

2. Before Installation

Important

- Upon collection or delivery of the appliance, any damage or defects **MUST** be reported within **48 hours** to the retailer or the customer service centre, or **no claim will be recognised**.
- **Before installing the electrical connections, you should:**
 - Verify that the indicated electrical data coincides with the voltage values and frequency of the electrical circuit in the house where the rangehood is to be installed.
 - Check that the premises has electrical protection against short circuits and electrocution, pursuant to the applicable legislation.
 - Always switch off the power using the double-pole switch before maintenance and turn the power on again for normal use only when the operation has been completed.
- **DO NOT INSTALL THIS APPLIANCE IF YOU FIND IT DAMAGED.**
- If this product is installed damaged, neither the supplier, nor the retailer, will be responsible for the costs associated with the repair, replacement, removal or re-installation of the appliances.
- Please read the entire instruction manual before installing the rangehood.
- Always switch power off prior to installation. All electrical work must be carried out by a registered electrician in accordance with local and national electrical codes as applicable. For your safety, this product must be earthed.
- The power socket must be accessible and enable the end user to isolate the rangehood from the power for the purpose of internal cleaning or maintenance.
- The power outlet must be within reach of the power cord from the rangehood.
- Check all contents of the packaging, including all electrical functions of the rangehood before installation.
- The rangehood is heavy. Please ensure adequate care when installing to prevent personal injury.
- The rangehood is not intended for use by persons (including children) with reduced physical, sensory or mental capabilities, or lack of experience and knowledge, unless they have been given supervision or instruction concerning use of the appliance by a person responsible for their safety.
- Children must be supervised to ensure that they do not play with the appliance.
- The room must have adequate ventilation when the rangehood is used at the same time as appliances burning gas or other fuels.
- There is a potential fire risk if cleaning is not carried out in accordance with the instructions. You **MUST** read the details concerning the method and frequency of cleaning.
- Do not flambé under the rangehood. This will void the warranty.
- Exhaust air must not be discharged into an existing flue which is used for exhausting fumes from appliances burning gas or other fuels.
- The minimum distance between the hob surface and the lowest part of the rangehood is 650mm. This distance should be at least 650mm, if the rangehood is installed over a gas hob. If the instructions for the gas hob specify a greater distance, adhere to those instructions.
- Attention should be given to ensure that any applicable regulations concerning the discharge of exhaust air is fulfilled. Even a partial obstruction will restrict the efficiency of the rangehood.

3. Maintenance and Service

- Stainless steel is very easily damaged during installation if scratched or knocked by tools. Protect the rangehood with the cardboard box or a plastic bag during installation.
- **CAUTION:** Accessible parts may become hot when used with cooking appliances.
- This appliance must be installed and repaired by a qualified technician.
- It is dangerous to modify any part of this appliance. Modification of any kind, will void the warranty.
- The manufacturer declines all responsibility in case of failure to adopt proper safety measures.
- Please consult local laws and regulations and install in accordance.
- Use an electrical connector with earth that is correct for your location.
- Check that the voltage in your area corresponds to the appliance as indicated on the rating label.
- This appliance must be connected to an electrical supply with a ground connection.
- Check that the installation and electrical connections are made by a qualified technician and indicated instructions and local regulations in force are met, using materials that are compliant with the applicable legislation.
- The company will not be responsible for any installations executed by non-qualified persons and installations that fail to heed the applicable legislation on electrical safety (with regard to both modes and materials).
- The electrical technical data can be found inside the rangehood, after removing the grease filters.
- The flexible power cable supplied is already connected internally and emerges from the rangehood near the air outlet tube.

Maintenance and Service

- Cleaning and user maintenance shall not be made by children without supervision.
- Always switch off and disconnect power before cleaning.
- The rangehood surface should be cleaned with a soft cloth and non-corrosive detergent. Wash with warm soapy water and a soft sponge. Never use abrasive detergent, scouring pads, steel wool or solvents on any part of this appliance. Always make sure to dry the appliance after cleaning and never leave wet, as this will cause irreparable damage.
- Clean the interior of the rangehood with a damp cloth and a neutral detergent or methylate spirits.
- For better results, you can use a high quality cleaning and protection product (eg. Steel Kleen) to clean rangehood.
- Do not leave the rangehood surface wet after cleaning.
- Particular care must be taken with the aluminium filters which must be periodically cleaned (at least every month, this will vary depending on cooking frequency and type of foods cooked).
- Remove the grease filters and wash them either by hand using hot soapy water or in the dishwasher using

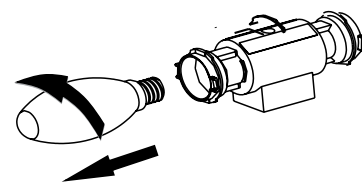
3. Maintenance and Service

mild detergent. Do not scrub. **NOTE:** some discolouration of the frame may occur when washing in the dishwasher. **CAUTION:** Never use abrasive or oil based liquid cleaners.

- If the grease filters are very dirty, the motor will extract only a small quantity of air, which reduces its efficiency. The grease deposits that build up on the filter are highly flammable and **COULD EASILY CATCH FIRE**. The manufacturer is not responsible in the event of fire due to poor maintenance of the grease filters.
- **IMPORTANT:** Never attempt to repair this appliance by yourself. Always refer to a qualified Service Technician. Remember to always switch off the electricity and unplug the connection before conducting maintenance or cleaning.

Light Bulb Replacement

- Switch off the power to the rangehood and allow the bulb to cool.
- Remove the bulb by turning it by hand in an anti clockwise direction.
- Take care to avoid the bulb falling onto the hob top.
- Replace the bulb by inserting it into the socket and hand turning in a clockwise direction.



Electrical Cord

Ensure the electric cord is not exposed to heat, chemicals or sharp objects. If the supply cord is damaged, it must be replaced by the manufacturer, service agent or a similarly qualified person in order to avoid a hazard.

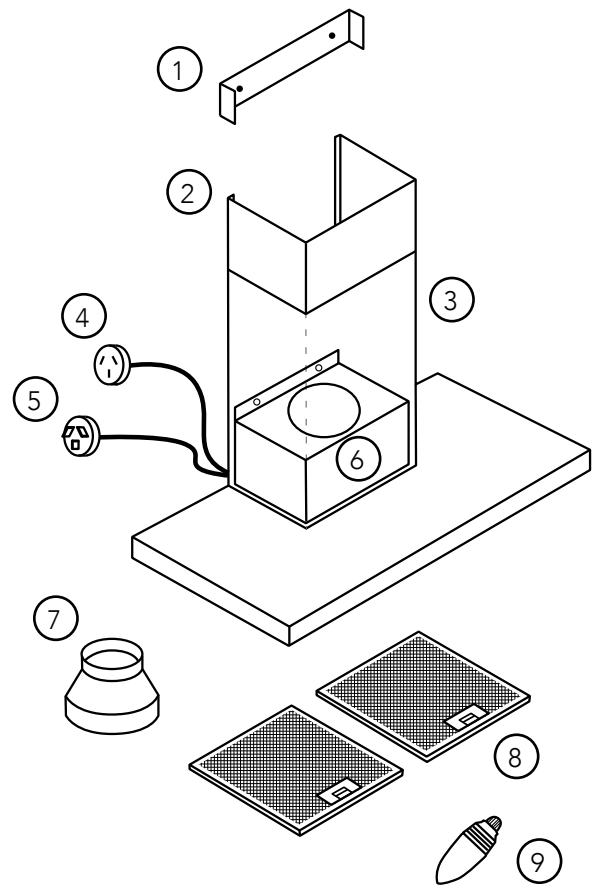
For Users

- This product is designed for domestic use only and should not be used outside or for commercial applications.
- After use, always ensure that all controls are in the "OFF" position. When frying with a gas flame, take particular care not to allow the oil or grease in the pan to catch fire. (Flambé)
- Do not leave the frying pan or fryer unattended, as the oil could overheat and catch fire.
- Never flambé any foods beneath the rangehood. The flames could cause a fire.
- Before carrying out any operation inside the rangehood, unplug the appliance from the electrical mains.
- Adhere to the cleaning frequencies and intervals for changing the filters, as otherwise the accumulated grease could cause a fire or damage the product.
- Any alterations made to the rangehood will void the warranty.

Rangehood Contents

- ① Mounting Bracket
- ② Extension Flue Piece
- ③ Main Flue
- ④ For use with Isodrive motor system
- ⑤ Male Plug (Main Power 240V, 10 amp connection)
- ⑥ Single Outlet 200mm
- ⑦ Reducer (For use with HiFlow VX120 motor)
- ⑧ Filter
- ⑨ Lamp

Note: Filter and light quantity may vary from model to model.



Operation

This rangehood is equipped with an ON/OFF switch. When the "ON" position is selected the unit will run at maximum speed. When the "OFF" position is selected the rangehood will turn off.

Fan ✕	"I" is the ON position and "O" is the OFF position.
Light ☀	"I" is the ON position and "O" is the OFF position.

5. Installation

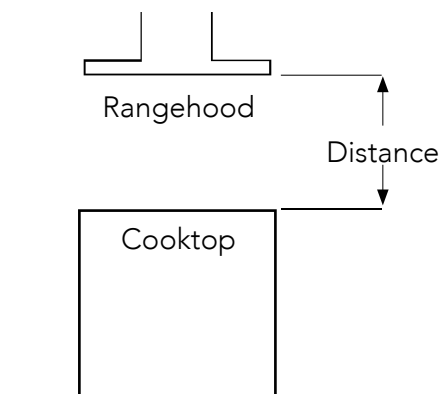
Mounting Instructions

The rangehood is designed for installations between 650 to 750mm above the cooking surface. Any installation above 750mm will compromise the extraction performance.

Minimum height from the hob top surface to the underside face of the rangehood:

- 650mm electric cooktop
- 650mm gas cooktop

Note: If the instructions for the gas cooktop specify a greater distance, this must be taken into account.

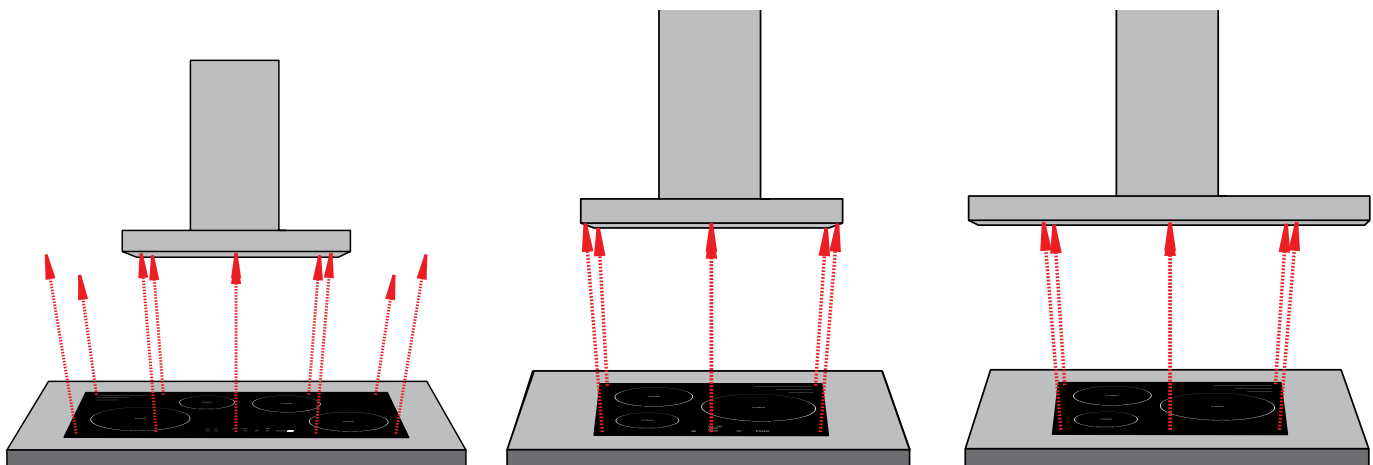


***IMPORTANT:** If the user decides to install the rangehood at a distance of less than minimum height above the cooking surface, Scandium declines responsibility for damages suffered by the rangehood due to excess heat or damage to objects, people and others caused directly or indirectly by a malfunction, breakage or fire.

***IMPORTANT:** Please check all State and Federal Laws in relation to the minimum - maximum heights, regulations concerning the expelling of air and install your rangehood in accordance with local laws and regulations.

For Installers

- In addition to the size, the height of the rangehood above the cooktop is important to obtain the best performance.



INADEQUATE

Rangehood smaller than cooking zone

ADEQUATE

Rangehood same size as cooking zone

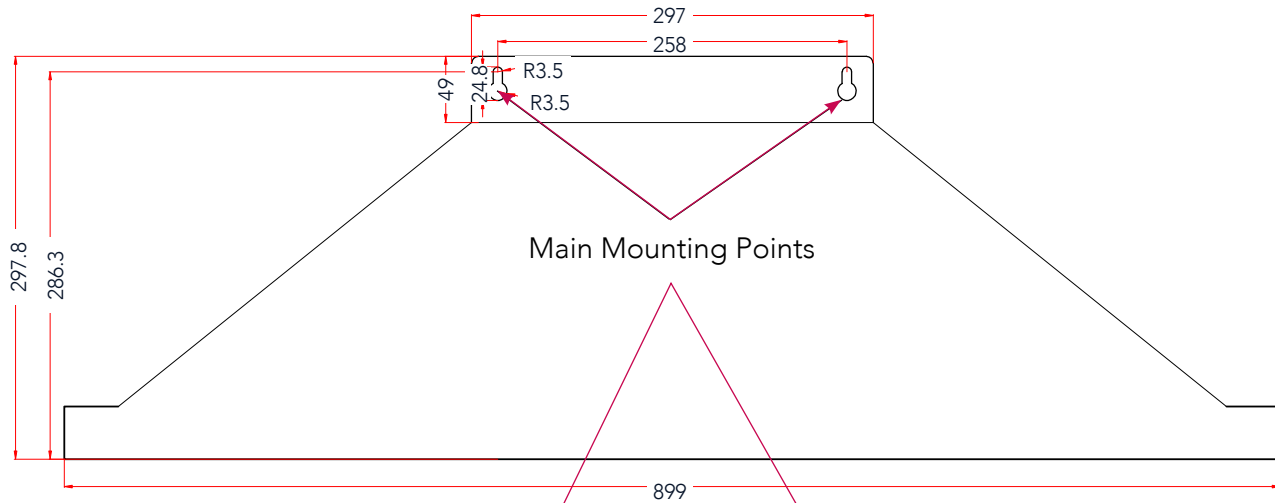
OPTIMAL

Rangehood larger than cooking zone

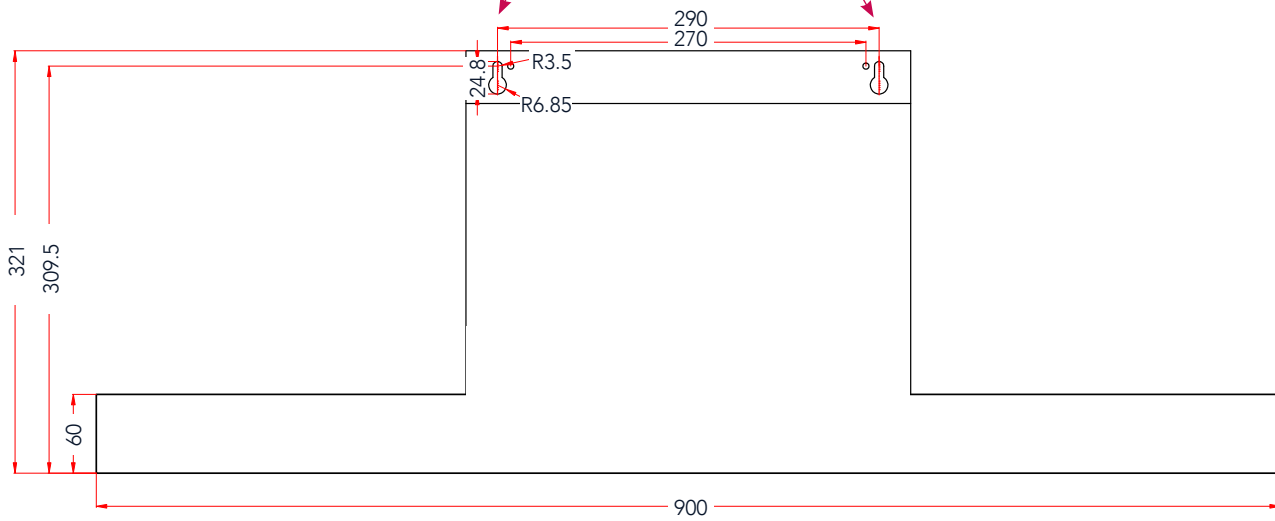
Mounting Points

The diagrams below are a guide for all mounting points.

For SC900WRS Model



For SC900WTS Model

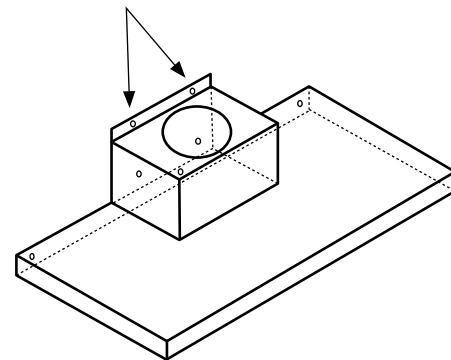


5. Installation

Installation Example

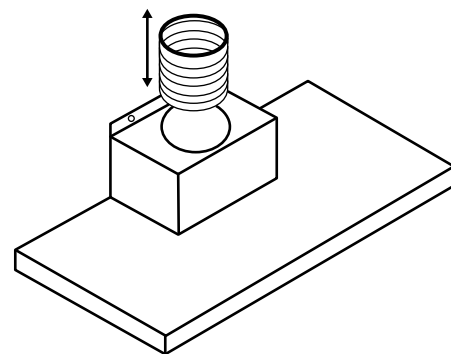
Step 1

Secure rangehood to the wall using only primary mounting points. Check the level of the rangehood and adjust accordingly if necessary. Once level, continue to secure the rangehood via the secondary mounting points.



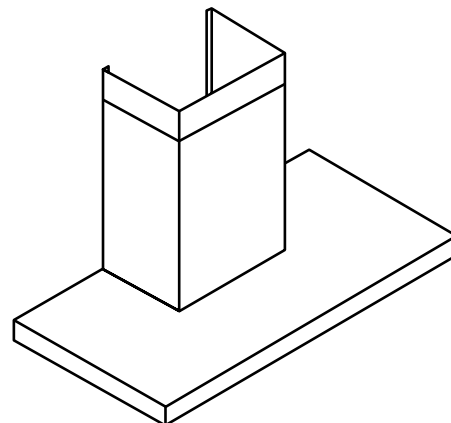
Step 2

Feed through aluminium flexi duct from the outlet block to the kitchen ceiling.



Step 3

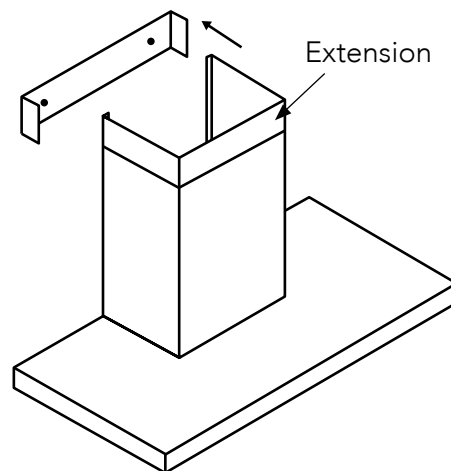
Place flue covers on.



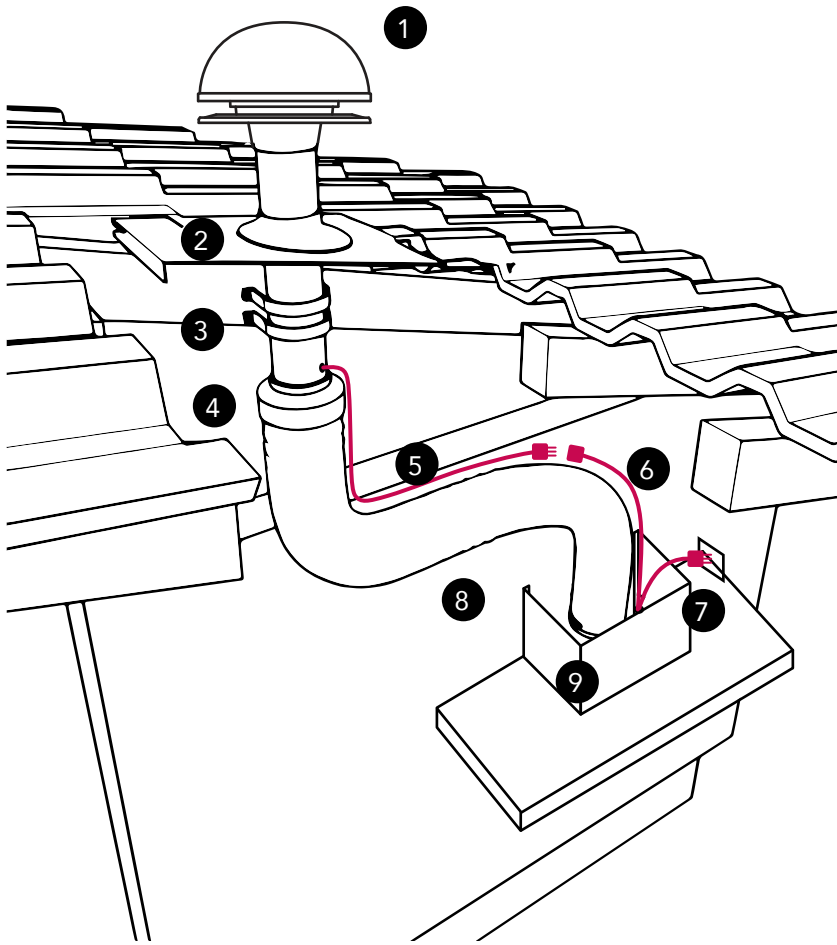
Step 4

Attach wall mounting bracket to the wall. Slide inside extension flue piece up to the wall mount bracket and attach.

Note: Please make sure that all plastic protection on the rangehood and filters is removed before use.



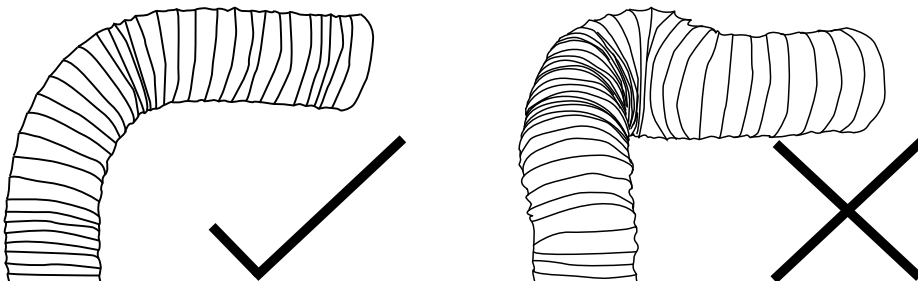
Overview



- ① Hi Flow VX120 Motor
- ② Roof Seal Kit (Dektite)*
- ③ Support Straps*
- ④ Attach Flexi Duct to Bell-Mouth Adaptor using duct tape and cable tie. DO NOT rip the ducting.
- ⑤ Motor Power Lead (Male Plug)
- ⑥ Rangehood to Motor Lead (Female Plug)
- ⑦ Main Power Lead (Male Plug)
- ⑧ Flexi Ducting must be pulled taut. DO NOT crush or kink the ducting. Keep ducting secured in place.
- ⑨ Connect flexi ducting to the outlet on rangehood using duct tape or cable tie. Please DO NOT rip the ducting.

***NOTE:** The motor system does not include a roof seal kit, support straps, duct tape and cable ties. There is a separate Motor Installation Guide in the Motor Box.

Flexi Ducting



IMPORTANT: For the motor to operate efficiently, do not crush or kink the flexi ducting, as it will reduce air flow and may cause noise to occur through the system. Ducting needs to be kept taut at all times.

NOTE: For more information, please refer to motor installation guide.

6. Condensation Information

Cooking with Induction Cooktops

Cooking with an induction or similar cooktop, may produce condensation on the rangehood.

Unlike basic electric or gas cooking, induction cooktops heat food and liquid instantly, which in turn, produces vapours rapidly. Because of this rapid process, the rangehood filters do not have enough time to warm, which increases the chance of condensation forming.

There are many variables that may contribute to condensation forming, some of which include but are not limited to:

- Variance in climate – geographical location
- Position of your home & kitchen – morning/afternoon sun
- Installation distance from cooktop to the rangehood
- Speed of food & liquid heating
- Angle of ducting – Scandium 'S' bend preferred
- Filter size - larger canopy preferred
- Quality of pots or cookware you are using – high quality recommended

How to reduce the possibility of condensation forming:

- Ensure the rangehood is installed by a qualified professional, carefully following the installation guide
- Turn on the rangehood 5-10 minutes prior to cooking, and leave on for 5-10 minutes after cooking; this helps clear remaining vapours from the flue.
- Start the cooking process at a low-to-medium setting and allow time for the rangehood to warm up.
- Clean filters regularly.
- Ensure constant airflow in the cooking zone; this helps optimise the rate of extraction.
- Follow all induction cooktop manufacturer advice.

For further advice, tips or information regarding cooking with induction, please contact your induction cooktop manufacturer.

Troubleshooting

If the product does not work:

Before you contact the service centre, make sure the product is plugged in, the electrical fuse (on selected models) is in correctly and electrical wiring is connected. Do not take any action that will damage the product.

	Check electric connection. Voltage of the electric network should be between 220 - 240V, rangehood should be connected to grounded plug and turned on.	Check rangehood's motor switch. Ensure that there is power to the rangehood, the motor is connected to the rangehood and the rangehood is switched on.	Check lamp switch. Lamp switch should be at "on" position.	Check filter. Filter should be washed regularly, see filter cleaning.	Check lamps. Lamps should be firm.	Check outlet. Outlet should be open.	Check lamps. Make sure they are not broken or faulty. Replace if broken.	Please make sure there is no obstruction in ducting and back draft fins.	Check the outlet, make sure it is not blocked and you have the correct diameter ducting installed.	Check motor installation manual, make sure the flexi ducting is installed correctly, eg. Length of ducting used, keep the ducting taut.	Check motor to make sure it hasn't been obstructed or damaged by flying debris.
Rangehood does not work	X	X									
Light does not work	X		X		X		X				
Rangehood air suction is weak	X			X		X		X	X		
Rangehood does not direct air out	X			X				X			
Loud noise from the rangehood	X								X	X	X

Faulty Installation

It is not the responsibility of Scandium to rectify any incorrect installations. A service call out fee will be charged for any Scandium technician that attends a call, whereby it's established that the fault is due to an incorrect installation or non-manufacturing fault. Should the appliance be installed in such a way that the service agent is unable to gain access to the appliance, the person/s who own the premises or the property where the appliance resides — will be responsible to provide access to the appliance at their expense.

Service

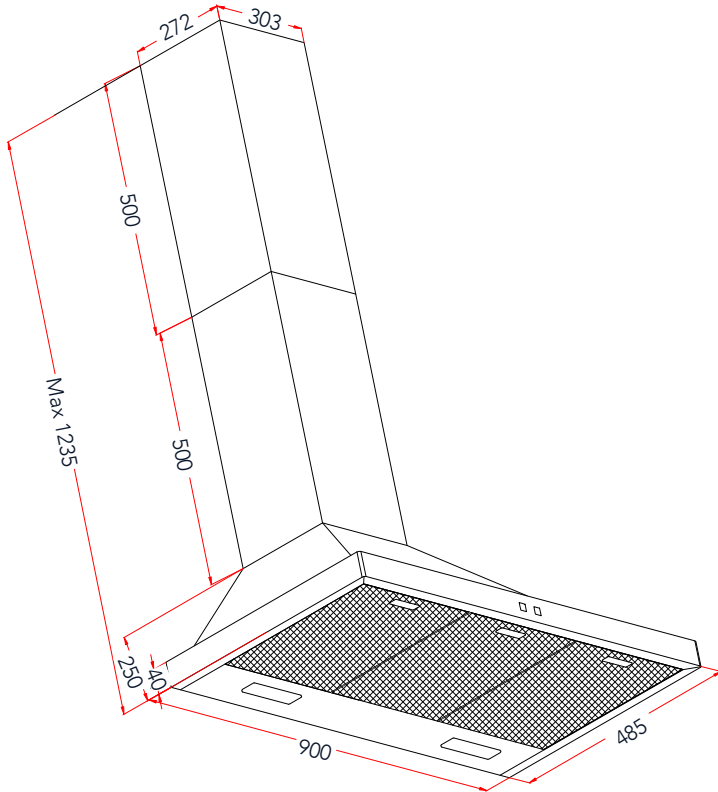
In the event that the failure is not due to the faults mentioned in Troubleshooting, contact the customer service centre.

A service request will require the purchase date, the rangehood model and motor type, the rangehood serial number or batch number (this information is printed on a label inside the rangehood).

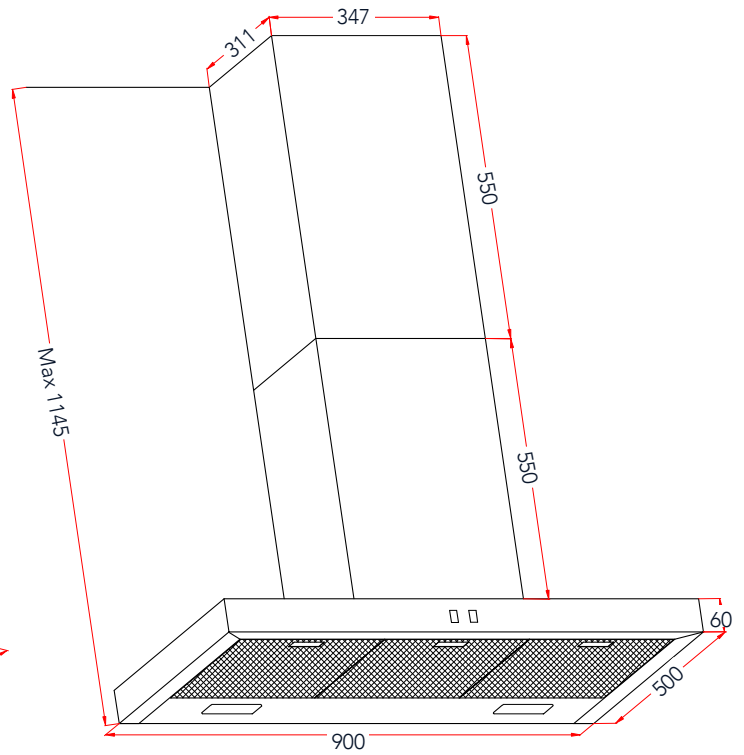
8. Specifications

Dimensions

For SC900WRS Model



For SC900WTS Model



Technical Specifications

Model	SC900WRS, SC900WTS
Feeding Voltage	220-240V 50Hz (10 amp GPO)
Lamp Power (Incandescent)	2 x 25W

Service

In the event that the failure is not due to the faults mentioned in Troubleshooting, contact the customer service centre.

In Australia,

Customer Service 1300 829 066

In New Zealand,

Customer Service 0800 200 510

Lodging an Online Service Request

In the event that failure is not due the reason/s in the trouble shooting section, you can lodge an online Service Request. To lodge Service Request, visit our website www.scandiumappliances.com.au/service-request and click on the link and complete the service request form.

A service request will require the following information:

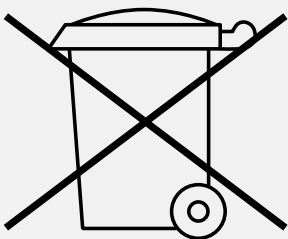
- The purchase date
- The model number
- The serial number or batch number (is on either the sticker on the bottom edge of the door or back of oven or inside the rangehood).
- A copy of the purchase receipt (without a receipt your service request cannot be processed).

Faulty Installation

It is not the responsibility of Scandium to rectify any incorrect installations. A service call out fee will be charged for any Scandium technician that attends a call, whereby it is established that the fault is due to an incorrect installation or non-manufacturing fault. Should the appliance be installed in such a way that the service agent is unable to gain access to the appliance, the person/s who own the premises or the property where the appliance resides — will be responsible to provide access to the appliance at their expense.

Disclaimer

Under our policy of continuous product development, product specifications may change without notice. Prospective purchasers should therefore check with the retailer to ensure this publication correctly describes the products being offered for sale. All information supplied is to be used for general reference purposes only and is on the understanding that Scandium will not be liable for any loss, liability or damage of whatever kind arising as a result of any reliance upon such information. All pictures used in the guide are for illustrative purposes only.



The symbol on the product or its packaging indicates that it cannot be treated as normal household waste. Take this product to your nearest electrical and electronic equipment waste point for recycling. By correctly disposing of this product, you will be helping to prevent potentially negative consequences for the environment and public health, which could arise if this product is not handled in the appropriate way. For more details about the recycling of this product please contact the authorities of your city or town, your local household waste service or the store where you purchased the product.



SCANDIUM

Makes life easier.

Australia 8/3-4 Anzed Court, Mulgrave 3170 Victoria. **Phone** 1300 881 693
Email info@scandiumappliances.com.au **Web** www.scandiumappliances.com.au

New Zealand 5 Tolich Place, Henderson, Auckland 0610. **Phone** 0800 200 510
Email info.parex@emerson.com **Web** www.parex.co.nz



axisgroup

Distributed by Axis Group International Pty Ltd.
ACN 124 141 322